



匯統國際股份有限公司
Huey Tung International Co., Ltd.

產品規格書 Specification

[Model : HT-2374 / 2013.1.11 version]



Cara Audio Corporation

No.69, Lane 762, Dingzhong Road, Sanmin District, Kaohsiung City, Taiwan, ROC.


Tel: 886-7-310 5786 / Fax: 886-7-310 0783

E-mail: carawang@hueytung.com.tw / <http://www.hueytung.com.tw>

揚聲器製品規格書

SPEAKER SPECIFICATION

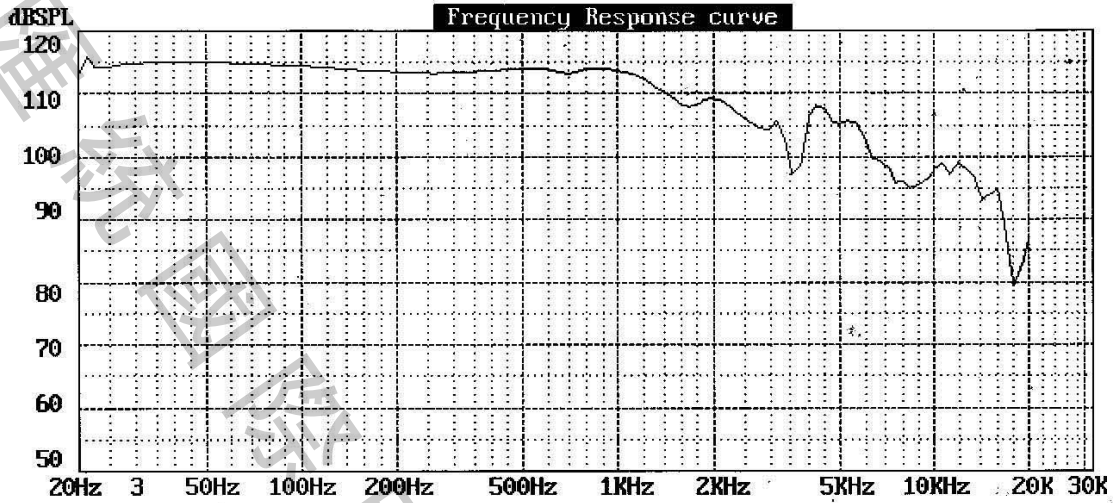
型號 Model Number: HT-2374

項目 Items		規格 Specification		
1	公称阻抗 Nominal Impedance	32Ω±15% at 1000 Hz 1.0v		
2	最低共振周波数 Lowest Resonance Frequency	120 Hz±20%Hz (入力 0.8V の条件下)		
3	实效周波数带域 Effective Frequency Range	F0~20KHz -10dB		
4	出力音压 Output Sound Pressure Level	114dB±3dB 1W/1M at 1000Hz の値 人供耳 0.178V test		
5	入力 Input	定格入力 Rated input 20 W	最大入力 Maximum input 40 W	
6	磁束密度 Flux Density	-----±10% GAUSS		
7	异常音试验电压 Buzz & Rattle Test	Must be normal at sine wave 0.8 V		
8	动作试验电压 Operation Test	Must be normal at program source 20mW		
9	极性 Polarity	/		
10	磁石尺寸/重量 Magnet Dimension/Weigh	Magnet:15*2 N35 Sub Magnet:	2.6G	
11	连续负荷试验 Life Test	White noise 20m W 48 hours	After the Test, Speaker should be meet the Outside and item 7,8	
12	耐热试验 Heat Resistance	65°C±2°C 20%-25%RH 16Hours and then room temperature 1 hours		
13	耐湿试验 Humidity Resistance	50°C±2°C 90%-95%RH 16Hours and then room temperature 1 hours		
14	耐寒试验 Cold Resistance	-20°C±2°C 16Hours and then room temperature 1 hours		
15	落下试验 Drop Test	1M 75°±2°		
16	绝缘耐压试验 Insulation Resistance	Or more 1MΩ 以上		
17	周波数特性 Frequency Response Curve	参照附图 On Other Drawing		
18	失真率 Distortion	5%		
19	各部 材质	Cone Paper	/	
		Voice Coil	/	
		Cap	/	
20	总重量 Total Weight	14.1G 0.49OZ		
	Size: 2"	Approve:	Check:	Design:
	試作發行: 2011.10.21	Arthur	John	LIU

音波曲線 Frequency: HT-2374

Firm: HUEY TUNG ELECTRONIC CO., LTD. Model: HT-2374 DATE: 10-07-2011 TIME: 17:30:43
1000Hz Sens. = 113.7dB SPL Pass F.R.: Pass DCR: 31.1Ω Pass Att. @ +0dB
Average SPL = 110.5dB SPL Pass (1000Hz- 2000Hz) Sweep Speed: 1/12 Oct.

B 6.10

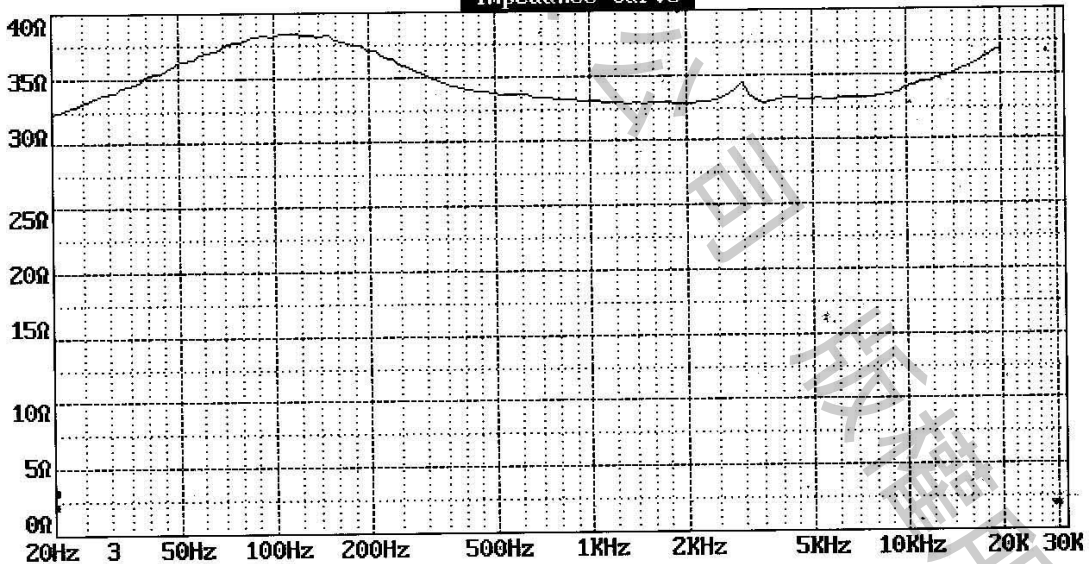


Voltage applied for F.R. = 0.178V Start F. = 20Hz Stop F. = 20000Hz

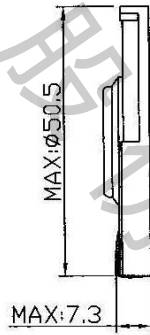
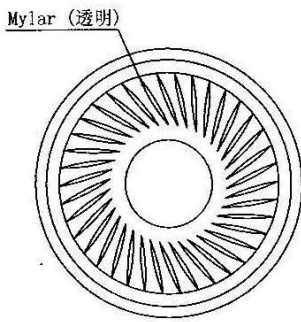
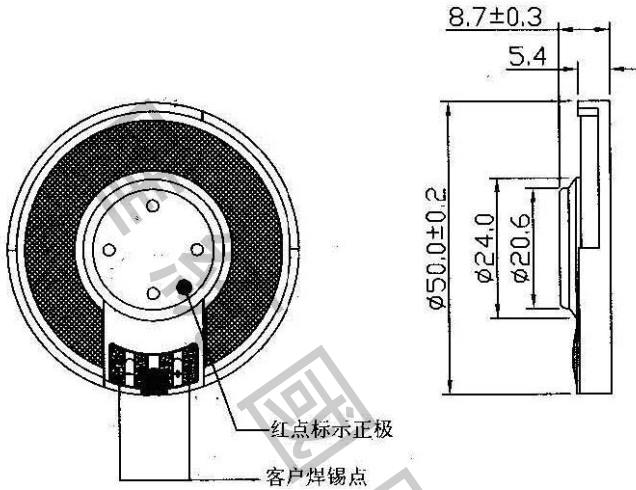
Firm: HUEY TUNG ELECTRONIC CO., LTD. Model: HT-2374 DATE: 10-07-2011 TIME: 17:25:33
ACV = 0.800V ACZ = 33.1Ω @ 1000Hz.
Start Freq. = 20Hz Stop Freq. = 20000Hz Sweep Speed: 1/12 Oct.
Fo = 118.9Hz; Qm = 0.44; Qe = 1.88; Qt = 0.36; DCR = 31.2Ω.

Impedance Curve

B 6.10



成品圖及照片 Mechanical Dimensions : HT-2374



Tolerance: ± 0.5

Unit: mm

hueytung.com.tw 版權所有